

E-Z Treat UV Installation Guide

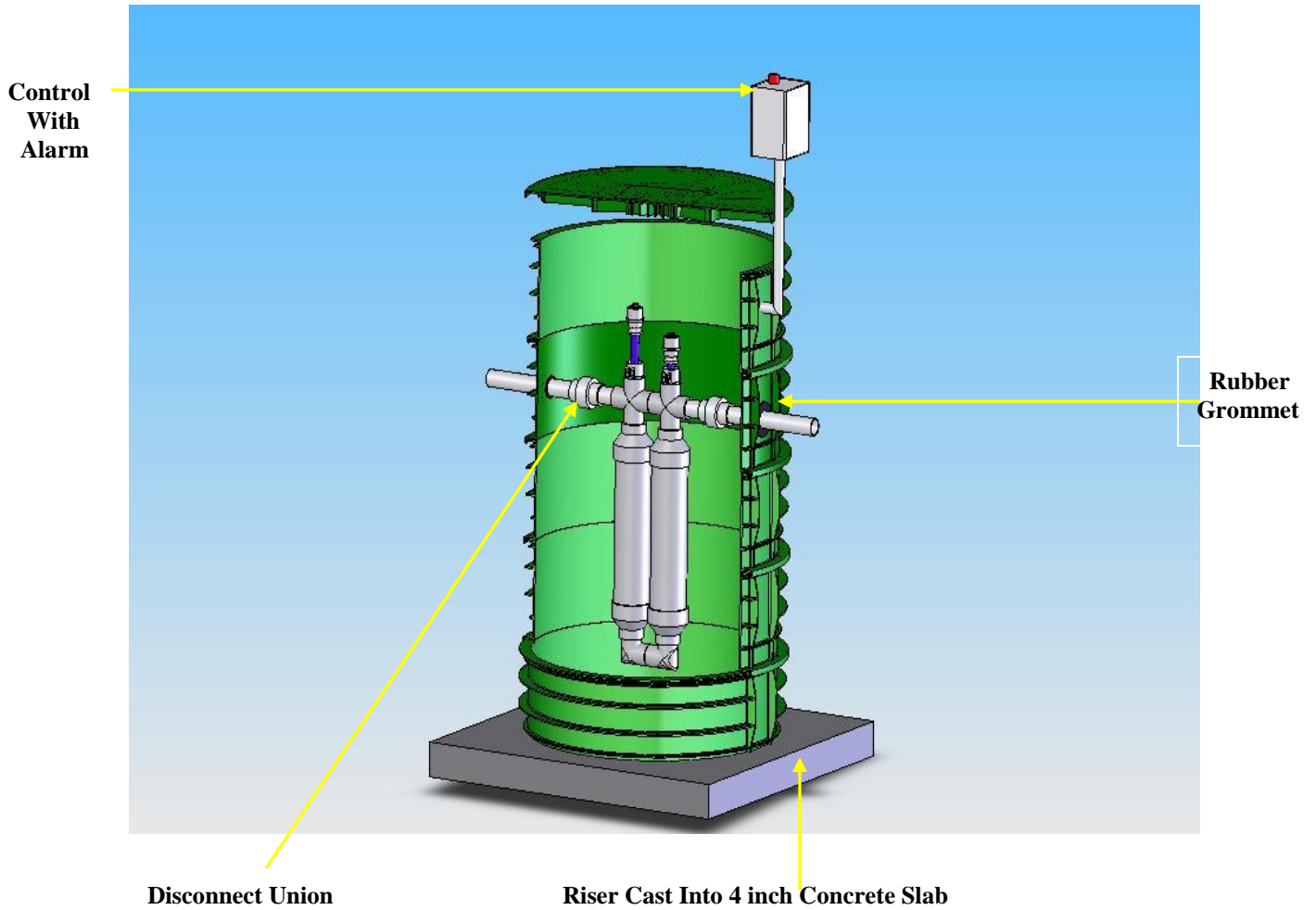
The E-Z Set UV system is shipped as three components, the UV housing, the UV Lamps and the UV Lamp control panel.

1. The PVC inlet and outlet on the UV housing are reversible, allowing flow in either direction. The inlet/outlet of the housing will accept any locally approved pipe and any locally approved water tight pipe connection. The housing should be installed so the UV Lamps are in the vertical position with the yellow UV Lamp power connection at the top of the UV Lamp assembly.
2. UV Lamp control panel can be installed indoors or outdoors, the panel should be secured in a manner that is consistent with local regulations. The UV Lamp control requires a dictated 120 Volt power source that complies with local codes.
3. The UV Lamps should be wiped clean in accordance with the cleaning instructions and inspected for cracks or chips prior to installing the Lamps into the UV housing.
4. Once the inlet and outlet connections to the UV housing are complete, insert the UV Lamp assemblies into the UV housing and lock the Lamps in place by pushing down on the metal locking levers. **Take Caution** to apply equal pressure on both locking levers at the same time.
5. Push the yellow power cords onto the UV Lamp assembly, take care to align the two pins on the Lamp with the two pin holes on the yellow power cord, secure the power cords by tightening the threaded ring on the power cords to the threads on the UV Lamp assemblies. **Caution: (Finger Tight Only)** Do Not use pliers, wrenches, etc.
6. Fill UV housing with water/effluent before applying power to the UV Lamps this can be accomplished by:
7. Manually turning on the discharge pump until water/effluent flows out the discharge side of the UV housing.
8. In the case of a gravity discharge system fill the UV housing by filling the re-circulation chamber/discharge tank of the system with water until the water/effluent flows out the discharge side of the UV housing.
9. Turn On Power to the UV System.

The E-Z Set UV system can be installed in a variety of containers, attached are a few examples:

E-Z Treat UV System Model #1000

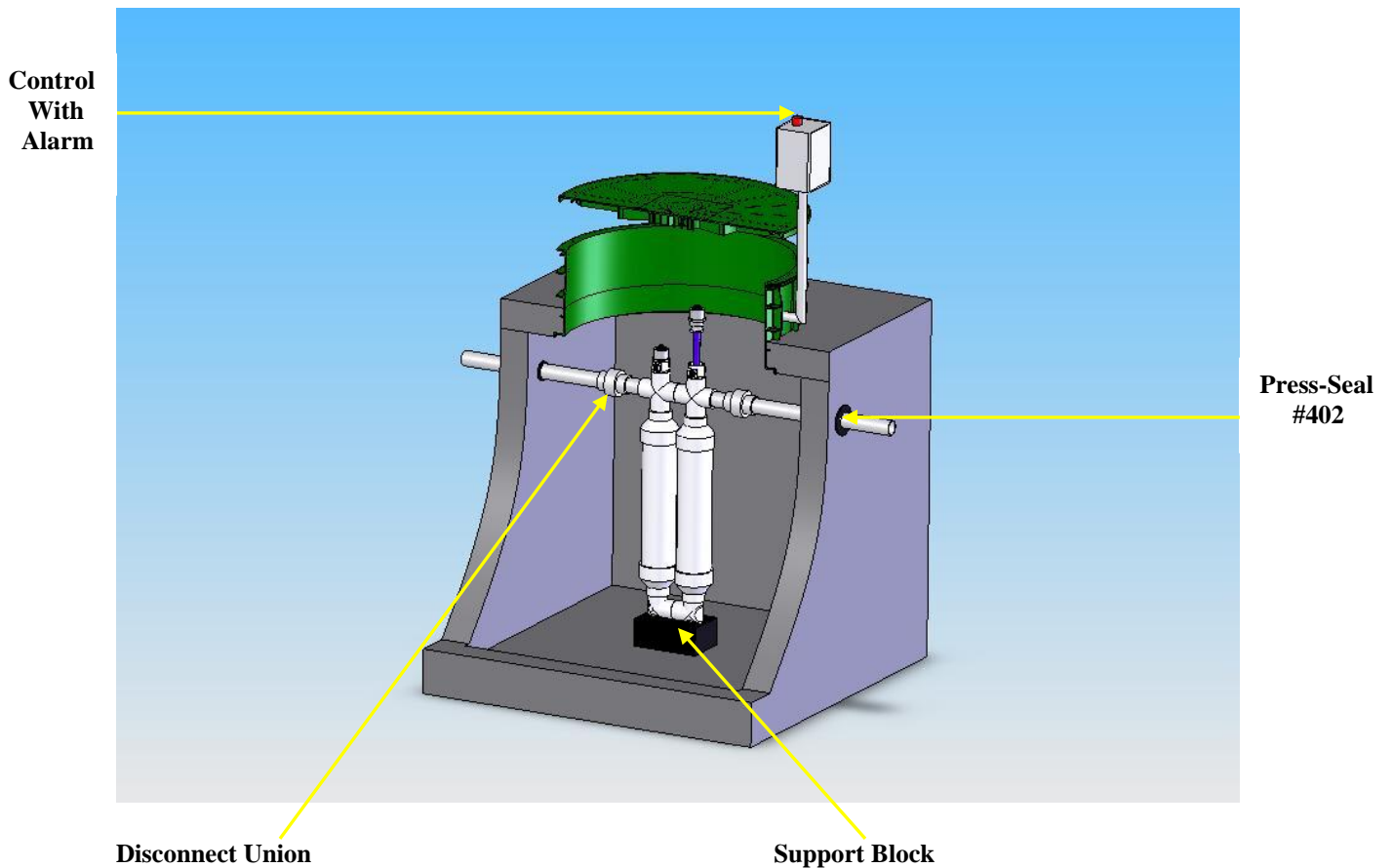
Typical Installation Using 24 or 30 in. Diameter E-Z Set Risers



Installation of the E-Z Set UV System, housed in E-Z Set Risers, allows the installer to adjust the burial depth, by adding riser sections, to suite site conditions. The E-Z Set UV System will accommodate gravity flow installations.

E-Z Treat UV System Model #1000

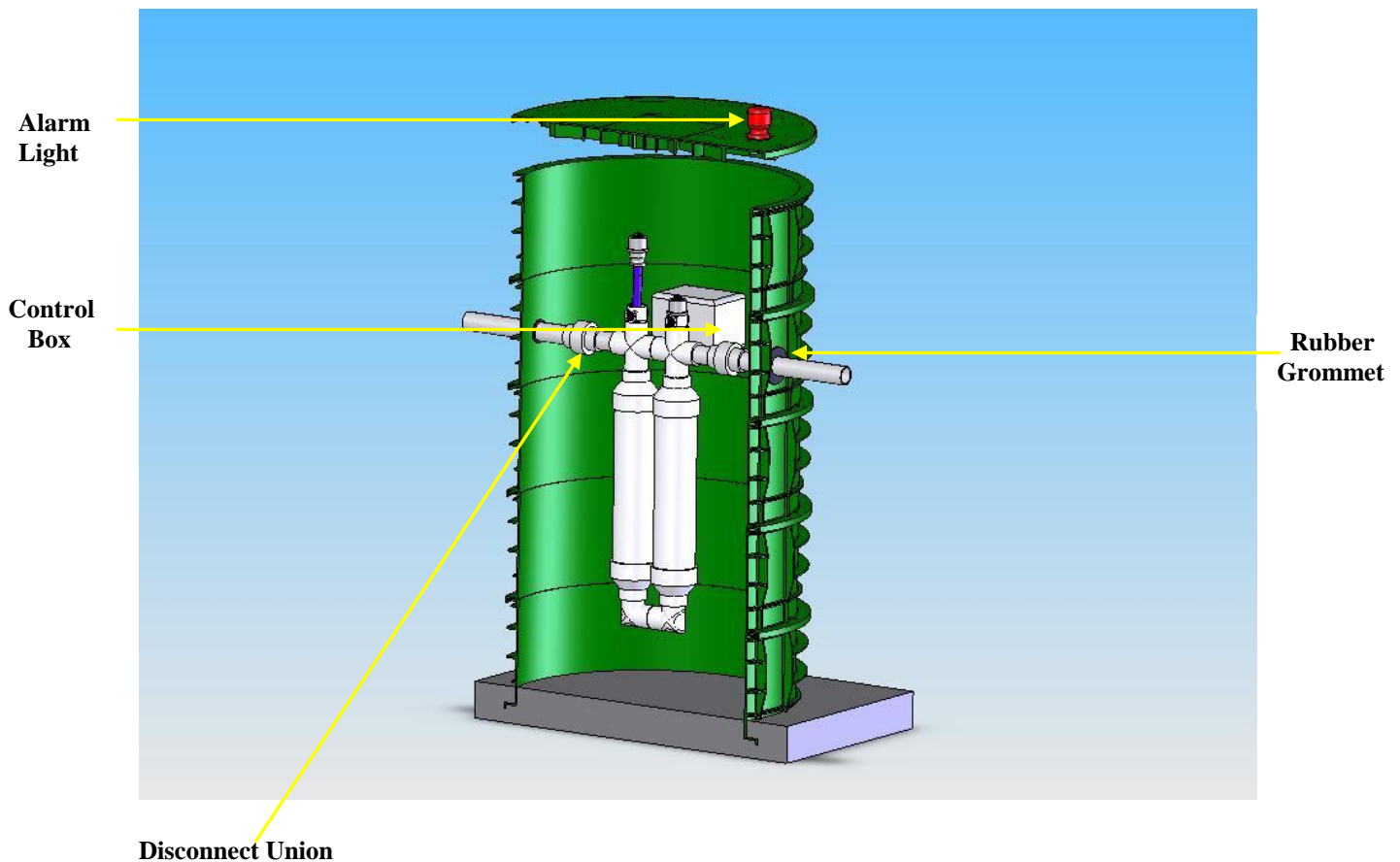
Typical Installation Using Pre-cast Concrete Vault



Installation of the E-Z Set UV System, housed a Concrete Vault along with E-Z Set Risers, allows the installer to adjust the burial depth, by adding riser sections, to suite site conditions. The E-Z Set UV System will accommodate gravity flow installations.

E-Z Treat UV System Model #1000

Typical Installation Using 30 in. Diameter E-Z Set Risers
With Control Box Out of Sight



Installation of the E-Z Set UV System, housed in E-Z Set Risers, allows the installer to adjust the burial depth, by adding riser sections, to suite site conditions. The E-Z Set UV System will accommodate gravity flow installations and systems requiring pumps.

Note: When pumping effluent thru the E-Z Set UV System **DO NOT** exceed 50 PSI.

When ordering designate **Control Panels out of Sight** this option is available on systems housed in concrete vaults as well as systems housed in E-Z Set Risers.